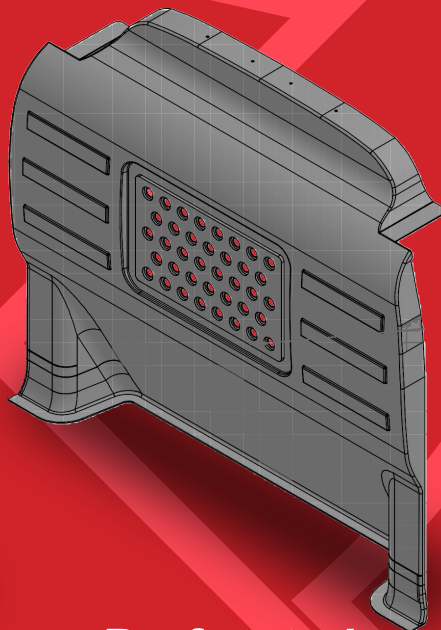
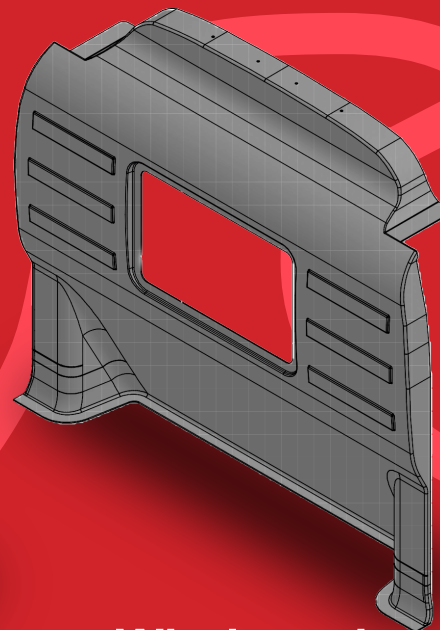


**Solid**



**Perforated**



**Windowed**

# Formed Partitions for the NV200

Coming in early 2014, Malley Industries is excited to introduce a line of single piece formed partitions (bulkheads) for the Nissan NV200 van!

Protect drivers and passengers from shifting cargo with one of three configurations - solid, perforated, or with an integrated window for extra visibility. Each liner comes pre-fitted with a gasket for a tight seal around its mounting points, making it ideal for industries like pest management.

Our single-piece design and integration into OEM mounting points mean that installing a partition takes significantly less time than competing steel, aluminum, or sectional plastic panels.

An optional insulated version is also under development for inexpensive but effective refrigeration conversions!

**Complete your van with one of our seamless liner packages or a LINERACK™ Cargo Storage system!**

**Installs in less than 30 minutes!**

Available Colours



**www.malleyindustries.com**  
**1 (877) 859-8591**

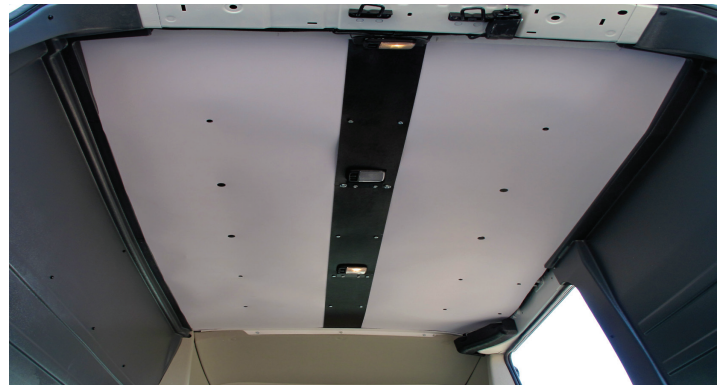
# Liner Packages for Nissan NV



Wall panels are made from single pieces of plastic. This gives a seamless finish and makes installation a breeze!

The only thing more important than the cargo you're hauling is the van you're hauling it with. To protect your van, Malley Industries has developed complete liner packages to suit any need. The result is a seamless OEM-quality system that is both functional and heavy-duty.

Our liner packages are designed using durable and impact-resistant 3/16-gauge plastic manufactured in a thermo-vacuum forming process. The packages are available in both colour matched OEM grey and white to guarantee a seamless transition. Our textured gloss finish is resistant to scratching and makes cleanup a breeze.



Add an optional ceiling panel to provide full coverage of the van interior

PART	DESCRIPTION
MI-PUF1002	NISSAN NV HIGH ROOF - CEILING
MI-PUF1000	NISSAN NV HIGH ROOF - PS WALL LINER
MI-PUF1001	NISSAN NV HIGH ROOF - DS WALL LINER



Authorized Distributor

