

Nissan NV Avenger Series



*Some Features Shown are Optional Equipment.



Standard Features

Interior Features

- Air Tech High Output AC/Heat System w/dual controls
- Pleated Soft Shades and Window Shrouds
- Driver and Passengers Floor Mats
- Flip-Down Clothes Hanger in rear
- 1/4" Plywood Sidewall and Ceiling Construction
- Protective Material in rear Cargo Area
- Passenger Assist Handles at Entry Doors
- Owens Corning Fiberglass Insulation Throughout
- Polyurethane Moisture Resistant Sub Floor
- 100% Nylon Carpet: Mildew and Stain Resistant
- FMVSS 302 Fire Retardant Automotive Grade Cloth Fabrics
- Satin Finish Walnut Window Sills and Ceiling Accents
- Cloth Valances w/ Walnut Accents and Indirect Lighting

- Lighted Walnut Center Beam
- 3 Piece Dr. and Pass Seating Group w/ Bi-Fold Sofa
- Deep Tinted Windows.

Electrical Features

- Overhead Directional Lighting Above Seating
- Mid-Cabin and Rear Cargo Area Courtesy Lighting
- 3 Switch Overhead Electrical Control Panel
- Pre-wire for TV

Exterior Features

- Aluminum Running Boards
- Pin Stripe Graphics

Your Authorized Distributor

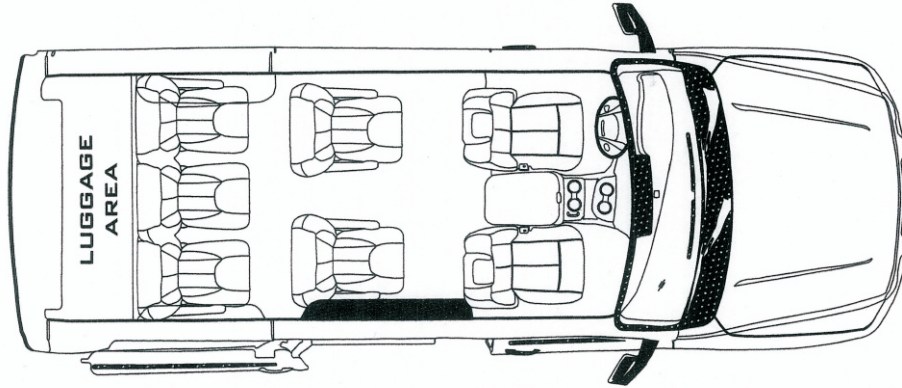
Due to on-going product development PSV reserves the right to make changes any time in price, colors, material, equipment, specifications and models without notice or obligation.

PRIME-TIME
SV

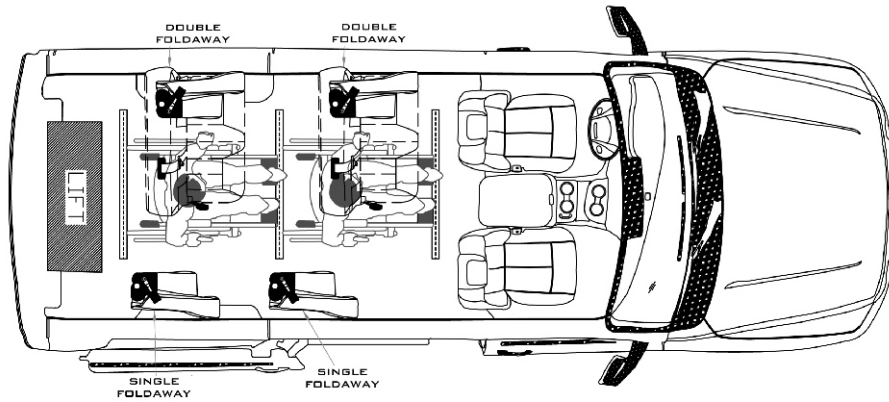
56616 Elk Park Drive • Elkhart, IN 46516
www.primetimesv.com

Phone: 574.293.9191
Fax: 574.293.3159

**PRIME TIME SV FLOOR PLAN
2012 NISSAN NV
7 PASSENGER**



**PRIME TIME SV FLOOR PLAN
2012 NISSAN NV
8 PASS. 2 MED**



**PRIME TIME SV FLOOR PLAN
2012 NISSAN NV
NV-1-10-PASS-B**

