

NISSAN NV200

Aerodynamic and Lightweight

Work hard, look stylish and stay safe. The AluRack features a rear roller, which makes it safe and easy to load bulky sheets of plywood, drywall, pipe and even weekend toys from the back of the van. The lightweight, yet rugged design can carry all of your cargo and withstand challenging weather conditions.

Plus, the aerodynamic design looks modern and reduces fuel consumption.



NISSAN PREFERRED SHIP-THRU SUPPLIER



Improve productivity – Easily unload and load cargo with assistance from the standard rear roller.



Durable, lightweight anodized aluminum enhances vehicle's professional image.



Provides the most versatile way to transport your cargo.



Maintain vehicle warranty and resale value with no holes to drill.



Winner of ergonomic awards in USA, France, Germany, and Australia.

Rear Roller makes loading and unloading easy



Search term "Nissan NV200 AluRack" to find more information.

STANDARD MODELS	NUMBER OF CROSSBARS	USEABLE CARGO WIDTH	WHEELBASE	HEIGHT	MOUNTING	RACK WEIGHT
AR1221	6	52	N/A	N/A	Uses Factory Points	33 lbs.

ML-7.2-4033 / Rev B / 10-21-2015

NISSAN NV200

Complete everyday tasks with world-class designs

Transport more tools, keep productivity high and lower the risk of injuries and worker compensation claims by installing the right ladder-rack solution on your Nissan NV200.

Prime Design's ergonomic, patented and award-winning solutions have helped business owners around the world eliminate or reduce the costs, stress and business pressures caused by work-related injuries.

NISSAN PREFERRED SHIP-THRU SUPPLIER



VCR-NV200

Rack + shown ladders combined weight is approximately 165 lbs.

Maximize the safety and carrying capacity of your Nissan NV200 with an ErgoRack.



Easy to use – deploys with only 2 fingers.



Maintain vehicle warranty and resale value with no holes to drill.



Eliminates slip and fall hazards from climbing on bumper or tire.



Hydraulic cylinder provides smoothest, controlled descent of any rack in the industry.



Improve productivity – Deploy or stow in less than 20 seconds.



Winner of ergonomic awards in USA, France, Germany and Australia.



Search term "Nissan NV200 ErgoRack" to find more information.

NISSAN NV200



VCR-NV200

VBR-NV200



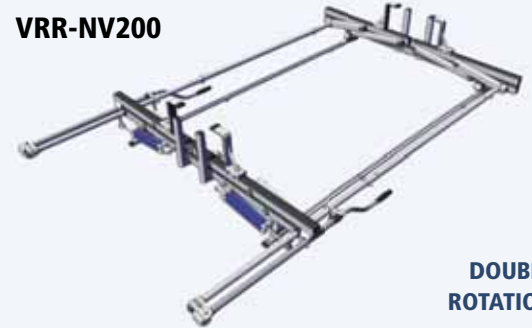
HORIZONTAL ROTATION

VCC-NV200



DOUBLE CLAMP DOWN

VRR-NV200



DOUBLE ROTATION

STANDARD MODELS	STREET SIDE	RECOMMENDED STEP / EXTENSION SIZES	CURB SIDE	RECOMMENDED STEP / EXTENSION SIZES	WHEEL-BASE	ROOF HEIGHT	RACK WEIGHT	MAXIMUM CROSSBAR SPACING
VBB-NV200	Base	N/A	Base	N/A	115"	74"	22 lbs	6'
VBB-NV200-3	Base	N/A	Base	N/A	115"	74"	30 lbs	6'
VBC-NV200	Base	N/A	Clamp	6-10' / 16-28'	115"	74"	32 lbs	6'
VBR-NV200	Base	N/A	Rotation	6-8' / 16-28'	115"	74"	56 lbs	6'
VCC-NV200	Clamp	6-10' / 16-28'	Clamp	6-10' / 16-28'	115"	74"	42 lbs	6'
VCR-NV200	Clamp	6-10' / 16-28'	Rotation	6-8' / 16-28'	115"	74"	66 lbs	6'
VRR-NV200	Rotation	6-8' / 16-28'	Rotation	6-8' / 16-28'	115"	74"	91 lbs	6'
VRR-NV200-3	Rotation	6-8' / 16-28'	Rotation	6-8' / 16-28'	115"	74"	93 lbs	6'

Only ErgoRack provides drop down ladder rotation. Dual, single, or combination models available. Twenty-eight foot maximum extension ladder length, ten foot maximum step ladder length. Ladders 28 feet in length require six foot spacing of crossbars. Check the vehicle's manufacturer recommendation for roof capacity weight limit.

 Step Ladder  Extension Ladder

NISSAN NV CARGO

Aerodynamic and Lightweight

Work hard, look stylish and stay safe. The AluRack features a rear roller, which makes it safe and easy to load bulky sheets of plywood, drywall, pipe and even weekend toys from the back of the van. The lightweight, yet rugged design can carry all of your cargo and withstand challenging weather conditions.

Plus, the aerodynamic design looks modern and reduces fuel consumption.



Rear Roller makes loading and unloading easy



Improve productivity – Easily unload and load cargo with assistance from the standard rear roller.



Durable, lightweight anodized aluminum enhances vehicle's professional image.



Provides the most versatile way to transport your cargo.



Maintain vehicle warranty and resale value with no holes to drill.



Winner of ergonomic awards in USA, France, Germany, and Australia.



Search term "Nissan NV AluRack" to find more information.

STANDARD MODELS	NUMBER OF CROSSBARS	USEABLE CARGO WIDTH	WHEELBASE	HEIGHT	MOUNTING	RACK WEIGHT
AR1900	8	66	146"	84"	Uses Factory Points	70 lbs.
AR1901	8	66	146"	106"	Uses Factory Points	65 lbs.

ML-7.2-4034 / Rev B / 10-21-2015

NISSAN NV CARGO

Design your workspace to fit your workday

Transport more tools, keep productivity high and lower the risk of injuries and worker compensation claims by installing the right ladder-rack solution on your Nissan NV Cargo.

Prime Design's ergonomic, patented and award-winning solutions have helped business owners around the world eliminate or reduce the costs, stress and business pressures caused by work-related injuries.

NISSAN PREFERRED SHIP-THRU SUPPLIER



HBR-E-NV12B

Rack + weight of ladders shown is approximately 185 lbs.

Maximize the safety and carrying capacity of your Nissan NV with an ErgoRack.



Easy to use – deploys with only 2 fingers.



Eliminates slip and fall hazards from climbing on bumper or tire.



Maintain vehicle warranty and resale value with no holes to drill.



Improve productivity – Deploy or stow in less than 20 seconds.



Hydraulic cylinder provides smoothest, controlled descent of any rack in the industry.



Removable handle – easy access for operators of any height.



Winner of ergonomic awards in USA, France, Germany and Australia.



Search term "Nissan NV Cargo ErgoRack" to find more information.

NISSAN NV CARGO



HBR-E-NV12B

HBR-NV11B **LOW**



SINGLE ROTATION

HRR-E-NV12B **HIGH**



SLIDES

HRR3-E-NV12B **HIGH**



DOUBLE ROTATION

STANDARD MODELS	STREET SIDE	RECOMMENDED STEP / EXTENSION SIZES	CURB SIDE	RECOMMENDED STEP / EXTENSION SIZES	WHEEL-BASE	HEIGHT	RACK WEIGHT	STANDARD SPACING OPTIONS
HBR-NV11B	Base	N/A	Rotation	8' / 16-40'	146"	84"	75 lbs	6, 7, or 8'
HBI-NV11B	Base	N/A	Inclined	8' / 24-28'	146"	84"	76 lbs	6, 7, or 8'
HRR-NV11B	Rotation	8' / 16-40'	Rotation	8' / 16-40'	146"	84"	116 lbs	6, 7, or 8'
HRI-NV11B	Rotation	8' / 16-40'	Inclined	8' / 24-28'	146"	84"	117 lbs	6, 7, or 8'
HRR3-NV11B	Rotation	8' / 16-40'	Rotation	8' / 16-40'	146"	84"	122 lbs	6, 7, or 8'
HBR-E-NV12B	Base	N/A	Rotation w/slide	8' / 16-28'	146"	106"	77 lbs	6, 7, or 8'
HRR-E-NV12B	Rotation w/slide	8' / 16-28'	Rotation w/slide	8' / 16-28'	146"	106"	121 lbs	6, 7, or 8'
HRR3-E-NV12B	Rotation w/slide	8' / 16-28'	Rotation w/slide	8' / 16-28'	146"	106"	127 lbs	6, 7, or 8'

Ladders 28 feet or longer require 8 foot spacing of crossbars.

For step ladders longer than 8 feet, optional extended rear uppers and slides are available. Check the vehicle's manufacturer recommendation for roof capacity weight limit.

 Step Ladder  Extension Ladder

ML-7.2-4012 / Rev E / 10-21-2015